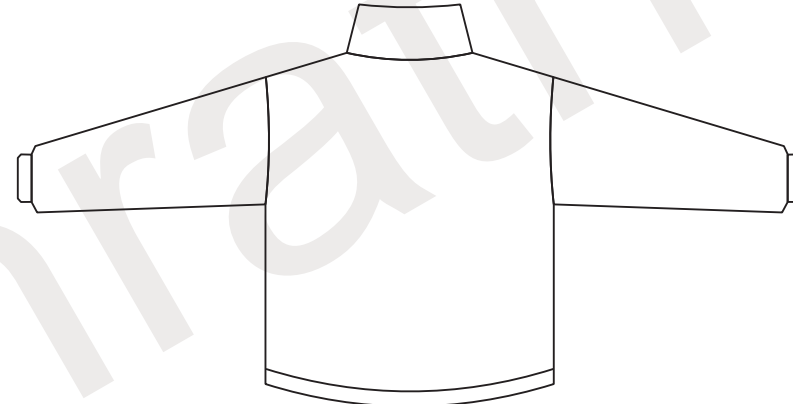
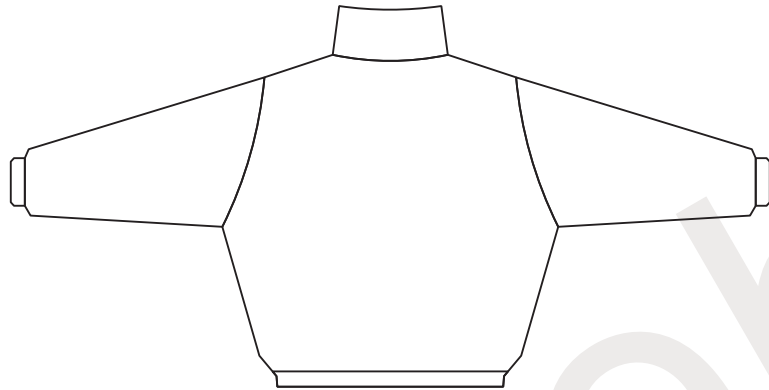
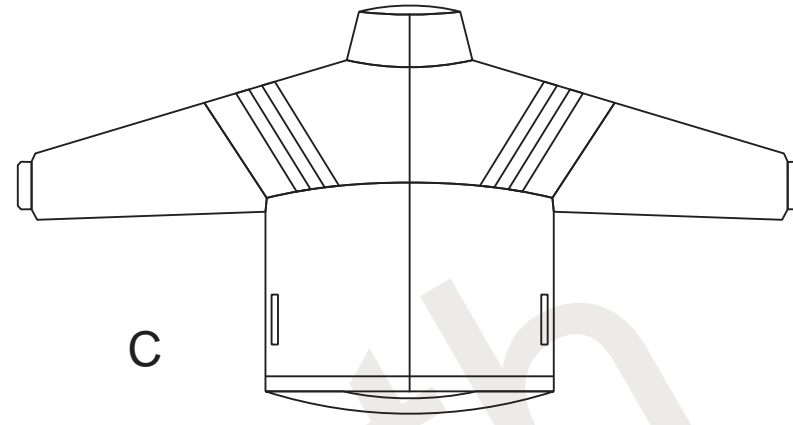
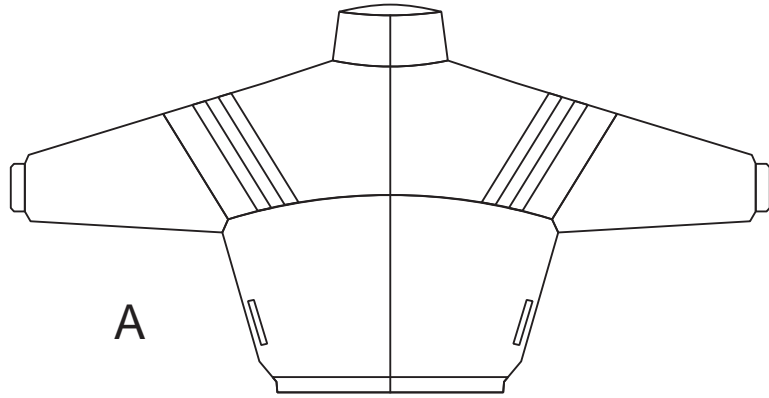
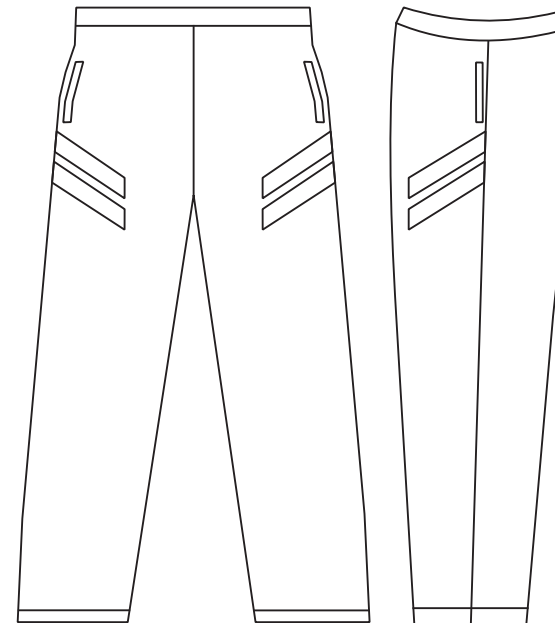
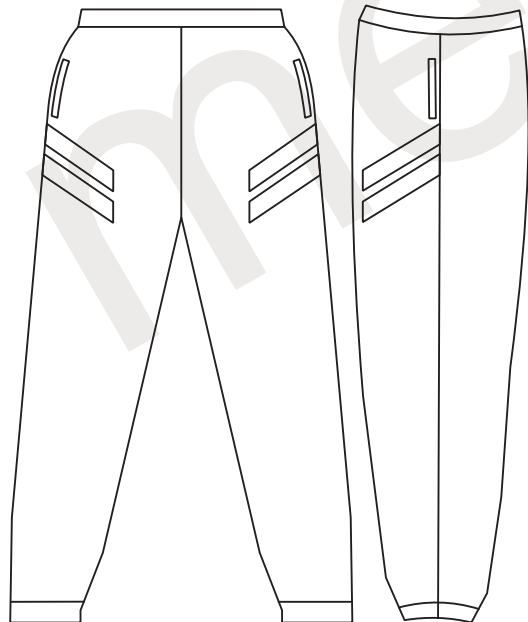


400



B

D



Copyrights owner:
mehrath equipage e.K.
Seestedter Weg 7
27337 Blender
Germany
Tel.: +49 4233 217897
info@mehrath.com
www.mehrath.de

Unauthorized use of
this drawing is
against the law.